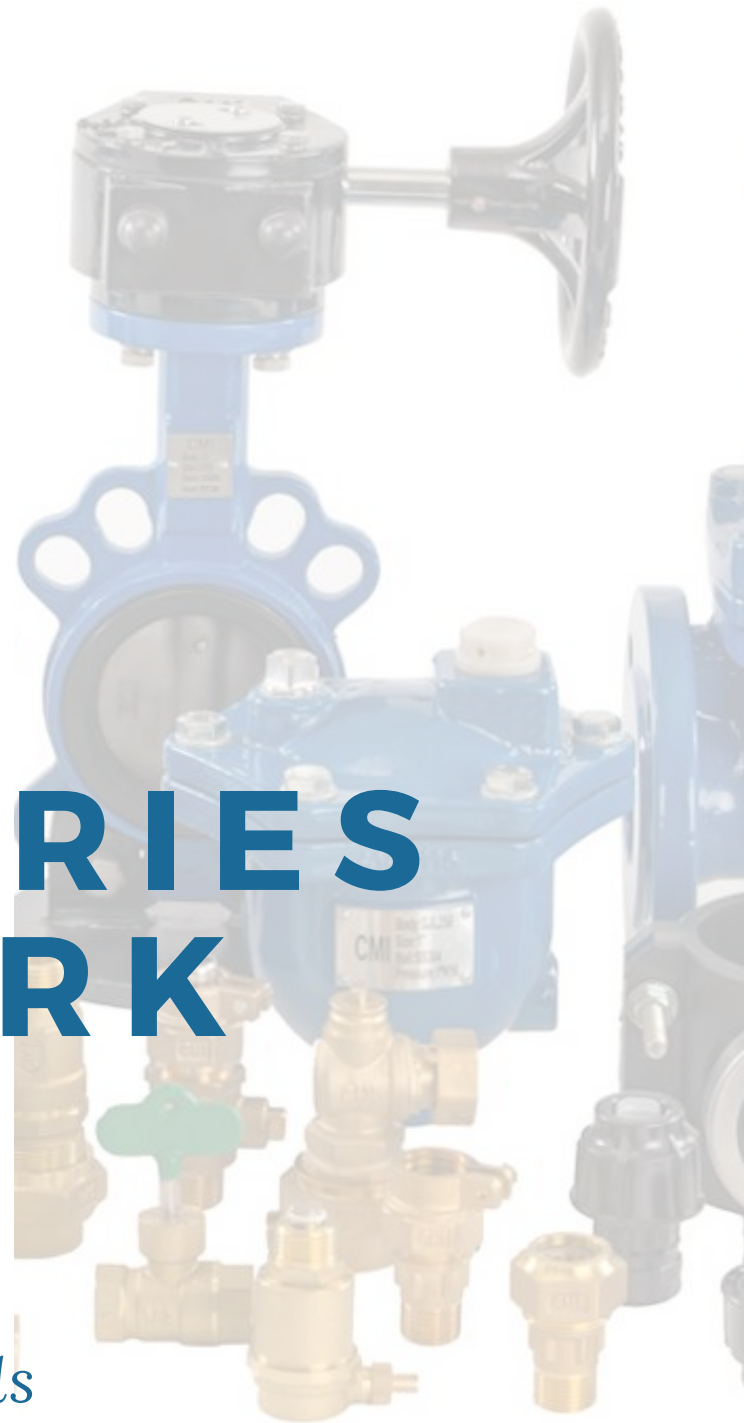




PRODUCT BROCHURE

WATER INDUSTRIES NETWORK CORP.

*Consolidator of Water
& Waste Water Materials*



WATER INDUSTRIES NETWORK CORP.

is a Prime Consolidator of the Widest Variety of Products in the Water Industry to support the growing demand for Water & Waste Water materials. Our product includes CI/DI Valves, Fittings, Water Meters, Tanks, and Pipes.

We offer a complete package from Design, Construction, and Supply for Water System (From Pipelines, Water Tanks, and Metering).

WINCORP is managed by a group of competent professionals with more than 30 years of experience in the Construction Industry.





WATER INDUSTRIES NETWORK CORP.

**Consolidator of CI/DI Valves, & Fittings,
Brass Fittings, Plastic Compression Fittings,
Malleable GI Fittings, Water Meter,
Flow Meter, Pipes, and Tank.**



**Our products are conforming to ISO & AWWA
standards with ANSI, UL Certification,
and FM Approved ensuring maximum
Reliability & Durability.**



**600mm DUCTILE IRON
BUTTERFLY VALVES**

What is the difference of Cast Iron and Ductile Iron?

Ductile Iron is a kind of Cast Iron with 3% - 4% higher carbon content. It has the **HIGHEST TENSILE STRENGTH** with up to 900mPA and has the largest elongation at 18%.

Cast Iron has better resistance to deformation during heating and dampens vibration more effectively.

Comparing Hot-Dip and Cold Galvanizing

Hot-dip galvanizing entails coating an iron or steel object by immersing it into a **MOLTEN ZINC BATH** at temperatures of around 840°F (449°C), while cold galvanizing is simply the application of a zinc-rich paint to the surface of a steel element to protect it from corrosion.

Because cold galvanizing is simply a coating, it cannot bond with the metal on a chemical level and, as such, does not have the same durability, abrasion resistance and cathodic protection capabilities as hot-dip galvanizing.

What differentiates PVC from HDPE pipe?

High-Density Poly Ethylene (HDPE) is known for its flexibility, chemical stability, and high strength-to-density ratio. It offers a leak-free system via **HEAT FUSION JOINTS**.

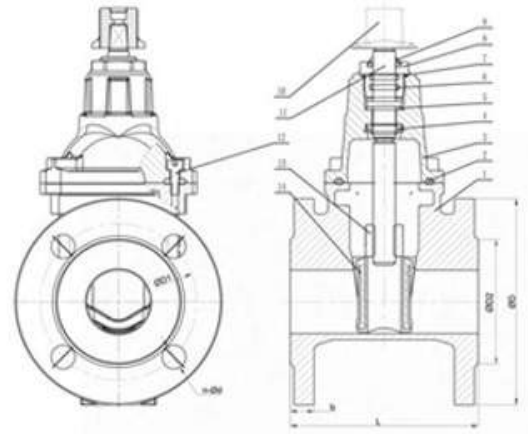
Polyvinyl Chloride (PVC) is a stronger and stiffer material which makes it suitable for **DIRECT BURIAL INSTALLATION**. The stiffness of PVC pipe allows their direct connection to mechanical valves, non-plastic fittings, and various other water and wastewater connections.

PVC Pipe's Loose Rubber Gasket System VS Fixed Rubber Gasket

Machine installed Fix Rubber Gasket ensures **LEAK FREE TECHNOLOGY** and efficiency in connection and installation, providing a significant reduction in cost and installation.

Loose Gasket systems, which are installed on-site, has the tendency to lodge between gasket & joints. It has the lowest manufacturing cost among all jointing methods.

Q
&
A



GATE VALVE



GATE VALVE MECHANICAL TYPE WITH GRIP RING

SIZES: 2"-12"
 MATERIAL: DUCTILE IRON
 PRESSURE RATING: PN16



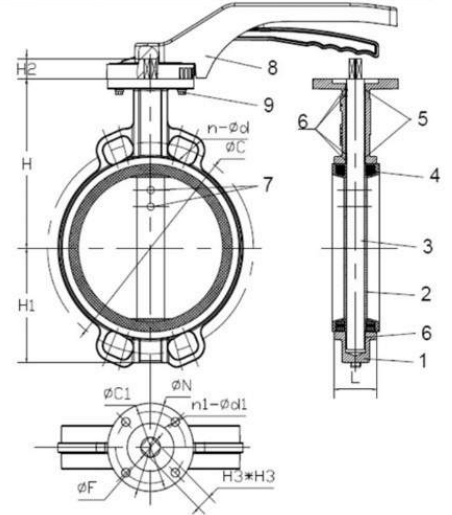
GATE VALVE FLANGE TYPE

SIZES: 2"-16"
 MATERIAL: DUCTILE IRON
 PRESSURE RATING: PN16



GATE VALVE MECHANICAL TYPE

SIZES: 2"-12"
 MATERIAL: DUCTILE IRON
 PRESSURE RATING: PN16



BUTTERFLY VALVE



**BUTTERFLY VALVE
LEVER TYPE**

SIZES: 2"-8"
MATERIAL: DUCTILE IRON
PRESSURE: PN16



**BUTTERFLY VALVE GEAR
OPERATED (DOUBLE FLANGE)**

SIZES: 2"-16"
MATERIAL: DUCTILE IRON
PRESSURE: PN16



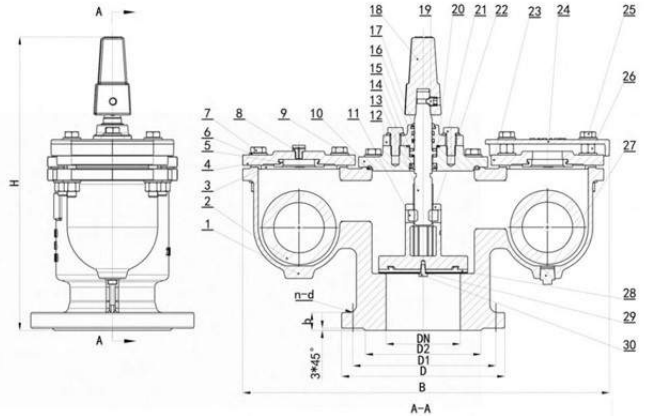
**BUTTERFLY VALVE
WITH ACTUATOR**

SIZES: 2"-16"
MATERIAL: DUCTILE IRON
PRESSURE: PN16



**AIR RELEASE VALVE
(DOUBLE ORIFICE)
FLANGE TYPE**

SIZES: 10"-14"
MATERIAL: DUCTILE IRON
PRESSURE RATING: PN16



AIR RELEASE VALVE



**AIR RELEASE VALVE
(FEMALE THREADED)**

SIZES: 10"-14"
MATERIAL: DUCTILE IRON
PRESSURE RATING: PN16



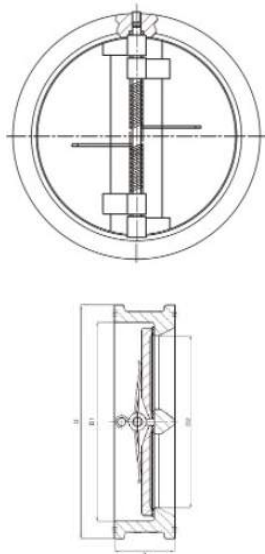
**AIR RELEASE VALVE
FLANGE TYPE**

SIZES: 10"-14"
MATERIAL: DUCTILE IRON
PRESSURE RATING: PN16



**CHECK VALVE
SWING TYPE**

SIZES: 2"-12"
MATERIAL: DUCTILE IRON
PRESSURE RATING PN16



**CHECK VALVE
WAFER TYPE**

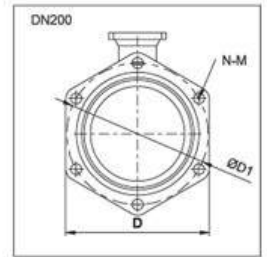
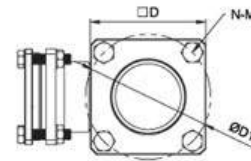
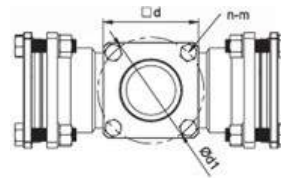
SIZES: 2"-12"
MATERIAL: DUCTILE IRON
PRESSURE RATING: PN16

CHECK VALVE



TEE MECHANICAL TYPE WITH GRIP RING

SIZES: 2"-12"
MATERIAL: DUCTILE IRON
PRESSURE RATING: PN16



DI FITTINGS



ELBOW MECHANICAL TYPE

SIZES: 2"-12"
MATERIAL: DUCTILE IRON
PRESSURE RATING: PN16



ELBOW MECHANICAL TYPE WITH GRIP RING

SIZES: 2"-12"
MATERIAL: DUCTILE IRON
PRESSURE RATING: PN16



COUPLING REDUCER WITH GRIP RING

SIZES: 2"-12"
MATERIAL: DUCTILE IRON
PRESSURE RATING: PN16



COUPLING REDUCER

SIZES: 2"-12"
MATERIAL: DUCTILE IRON
PRESSURE RATING: PN16



SLEEVE TYPE COUPLING

SIZES: 2"-12"
MATERIAL: DUCTILE IRON
PRESSURE RATING: PN16



ADAPTOR MF

SIZES: 2"-12"
MATERIAL: DUCTILE IRON
PRESSURE RATING: PN16



TENSILE RESTRAINED ADAPTOR

SIZES: 2"-12"
MATERIAL: DUCTILE IRON
PRESSURE RATING: PN16



END CAP MECHANICAL TYPE WITH GRIP RING

SIZES: 2"-12"
MATERIAL: DUCTILE IRON
PRESSURE RATING: PN16



END CAP MECHANICAL TYPE

SIZES: 2"-12"
MATERIAL: DUCTILE IRON
PRESSURE RATING: PN16



VALVE BOX COVER

SIZES: 6"
MATERIAL: DUCTILE IRON
PRESSURE RATING: PN16



SADDLE CLAMP (2 BOLTS)

SIZES: 2"-16"
MATERIAL: DUCTILE IRON
PRESSURE RATING: PN16



SADDLE CLAMP (4 BOLTS)

SIZES: 2"-8"
MATERIAL: DUCTILE IRON
PRESSURE RATING: PN16



WYE STRAINER FLANGE TYPE

SIZES: 2"-12"
MATERIAL: DUCTILE IRON
PRESSURE RATING: PN16



DISMANTLING JOINT

SIZES: 2"-12"
MATERIAL: DUCTILE IRON
PRESSURE RATING: PN16



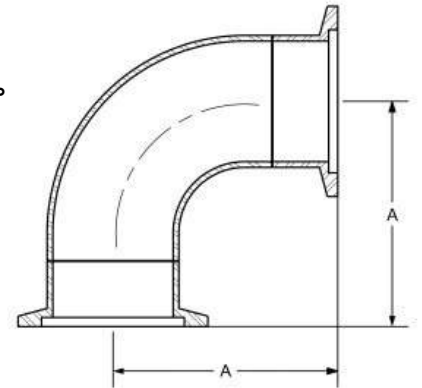
GIBAUT JOINT

SIZES: 2"-12"
MATERIAL: DUCTILE IRON
PRESSURE RATING: PN16



Flange Elbow 90°

SIZES: 2"-12"
 MATERIAL: CAST IRON
 PRESSURE RATING: PN16



CI FITTINGS



Mechanical Elbow

SIZES: 2"-12"
 MATERIAL: CAST IRON
 PRESSURE RATING: PN16



Flange Tee

SIZES: 2"-12"
 MATERIAL: CAST IRON
 PRESSURE RATING: PN16



Tap Tee MT

SIZES: 2"-12"
 MATERIAL: CAST IRON
 PRESSURE RATING: PN16



Mechanical Cross Tee

SIZES: 2"-12"
 MATERIAL: CAST IRON
 PRESSURE RATING: PN16



Mechanical Tee

SIZES: 2"-12"
 MATERIAL: CAST IRON
 PRESSURE RATING: PN16



Mechanical End Cap

SIZES: 2"-12"
 MATERIAL: CAST IRON
 PRESSURE RATING: PN16



Gibault Joint

SIZES: 2"-12"
 MATERIAL: CAST IRON
 PRESSURE RATING: PN16



Sleeve Coupling

SIZES: 2"-12"
 MATERIAL: CAST IRON
 PRESSURE RATING: PN16



Gibault Joint

SIZES: 2"-12"
 MATERIAL: CAST IRON
 PRESSURE RATING: PN16



Reducer FF

SIZES: 2"-12"
 MATERIAL: CAST IRON
 PRESSURE RATING: PN16



Steel Ring Flange

SIZES: 2"-12"
 MATERIAL: CAST IRON
 PRESSURE RATING: PN16



Companion Flange

SIZES: 2"-12"
 MATERIAL: CAST IRON
 PRESSURE RATING: PN16



Reducer MF

SIZES: 2"-12"
 MATERIAL: CAST IRON
 PRESSURE RATING: PN16



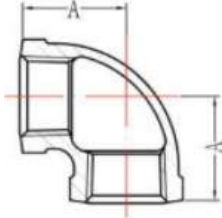
MM Reducer

SIZES: 2"-12"
 MATERIAL: CAST IRON
 PRESSURE RATING: PN16



Valve Box Cover

SIZES: 2"-12"
 MATERIAL: CAST IRON
 PRESSURE RATING: PN16



GI ELBOW 90

SIZES: 3/8"-6"
 MATERIAL: Malleable Iron
 PRESSURE RATING: PSI 150



GI TEE

SIZES: 3/8"-6"
 MATERIAL: Malleable Iron
 PRESSURE RATING: PSI 150



GI CROSS TEE

SIZES: 3/8"-6"
 MATERIAL: Malleable Iron
 PRESSURE RATING: PSI 150

MALLEABLE / GALVANIZE IRON (HOT DIP)



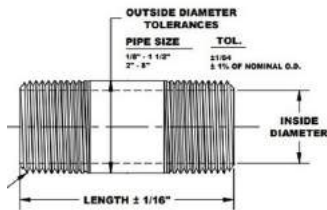
GI ELBOW REDUCER

SIZES: 3/8"-6"
 MATERIAL: Malleable Iron
 PRESSURE RATING: PSI 150



GI ST. ELBOW

SIZES: 3/8"-6"
 MATERIAL: Malleable Iron
 PRESSURE RATING: PSI 150



GI NIPPLE

SIZES: 1/2"-24"
 MATERIAL: Malleable Iron
 PRESSURE RATING: PSI 150



GI END CAP

SIZE: 3/8"-6"
 MATERIAL: Malleable Iron
 PRESSURE RATING: PSI 150



GI PLUG

SIZES: 1/4"-6"
 MATERIAL: Malleable Iron
 PRESSURE RATING: PSI 150



GI COUPLING

SIZES: 3/8"-6"
 MATERIAL: Malleable Iron
 PRESSURE RATING: PSI 150



GI SOCKET REDUCING

SIZES: 3/8"-6"
 MATERIAL: Malleable Iron
 PRESSURE RATING: PSI 150



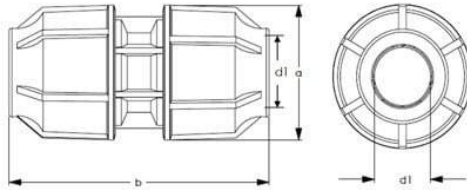
GI UNION PATENTED

SIZES: 3/8"-6"
 MATERIAL: Malleable Iron
 PRESSURE RATING: PSI 150



GI BUSHING

SIZES: 3/8"-6"
 MATERIAL: Malleable Iron
 PRESSURE RATING: PSI 150



PE UNION COUPLING

SIZES: 1/2"-4"
MATERIAL: POLYPROPYLENE
PRESSURE RATING: PN16-PN25

COMPRESSION FITTINGS



PE EQUAL ELBOW

SIZES: 1/2"-4"
MATERIAL: POLYPROPYLENE
PRESSURE RATING: PN16-PN25



PE EQUAL TEE

SIZES: 1/2"-4"
MATERIAL: POLYPROPYLENE
PRESSURE RATING: PN16-PN25



PE MALE THREADED ADAPTOR

SIZES: 1/2"-4"
MATERIAL: POLYPROPYLENE
PRESSURE RATING: PN16-PN25



PE FEMALE THREADED ADAPTOR

SIZES: 1/2"-4"
MATERIAL: POLYPROPYLENE
PRESSURE RATING: PN16-PN25



PE END CAP

SIZES: 1/2"-4"
MATERIAL: POLYPROPYLENE
PRESSURE RATING: PN16-PN25



PE REDUCING COUPLER

SIZES: 1/2"-4"
MATERIAL: POLYPROPYLENE
PRESSURE RATING: PN16-PN25



PE FEMALE ELBOW

SIZES: 1/2"-4"
MATERIAL: POLYPROPYLENE
PRESSURE RATING: PN16-PN25



PE FEMALE TEE

SIZES: 1/2"-4"
MATERIAL: POLYPROPYLENE
PRESSURE RATING: PN16-PN25



PE SADDLE CLAMP

SIZES: 1/2"-6"
MATERIAL: POLYPROPYLENE
PRESSURE RATING: PN16-PN25



PE TAPPING FERRULE

SIZES: 1/2"-4"
MATERIAL: POLYPROPYLENE
PRESSURE RATING: PN16-PN25



PE MALE ELBOW

SIZES: 1/2"-4"
MATERIAL: POLYPROPYLENE
PRESSURE RATING: PN16-PN25



PE MALE TEE

SIZES: 1/2"-4"
MATERIAL: POLYPROPYLENE
PRESSURE RATING: PN16-PN25



BRASS GATE VALVE

SIZES: 1/2"-2"
 MATERIAL: BRASS
 PRESSURE: PN<1.6MPA



BRASS BALL VALVE WITH HANDLE

SIZES: 1/2"-2"
 MATERIAL: BRASS
 PRESSURE: PN16



BRASS ANGLE METER VALVE W/ KEY-C

SIZES: 1/2"-2"
 MATERIAL: BRASS
 PRESSURE: PN16

BRASS FITTINGS



BRASS UNION COUPLING (ISO)

SIZES: 1/2"-1"
 MATERIAL: BRASS
 PRESSURE: PN16



BRASS BALL UNION COUPLING (CTS)

SIZES: 1/2"-1"
 MATERIAL: BRASS
 PRESSURE: PN16



BRASS BALL VALVE W/ KEY WRENCH

SIZES: 1/2"-2"
 MATERIAL: BRASS
 PRESSURE: PN16



BRASS BALL VALVE W/ LOCKING

SIZES: 1/2"-2"
 MATERIAL: BRASS
 PRESSURE: PN16



BRASS STRAIGHT COUPLING CLAMP TYPE ISO

SIZES: 1/2"-1"
 MATERIAL: BRASS
 PRESSURE: PN16



BRASS UNION COUPLING TYPE ISO

SIZES: 1/2"-1"
 MATERIAL: BRASS
 PRESSURE: PN16



BRASS BALL VALVE W/ UNIVERSAL KEY

SIZES: 1/2"-2"
 MATERIAL: BRASS
 PRESSURE: PN16



BRASS CHECK VALVE

SIZES: 1/2"-2"
 MATERIAL: BRASS
 PRESSURE: PN16



AIR RELEASE VALVE

SIZES: 1/2"-2"
 MATERIAL: BRASS
 PRESSURE: PN16



BRASS MAGNETIC KEY

SIZES: 1/2"-2"
 MATERIAL: BRASS
 PRESSURE: PN16



BRASS CORPORATION STOP (ISO)

SIZES: 1/2"-1"
 MATERIAL: BRASS
 PRESSURE: PN16



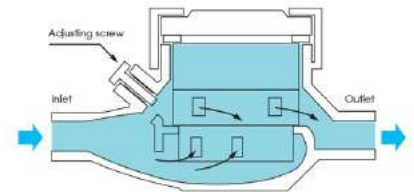
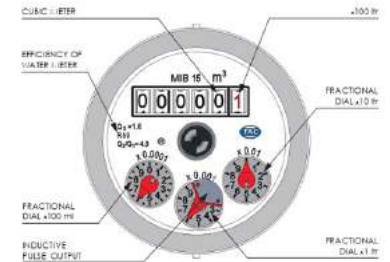
BRASS STRAIGHT COUPLING

SIZES: 1/2"-1"
 MATERIAL: BRASS
 PRESSURE: PN16



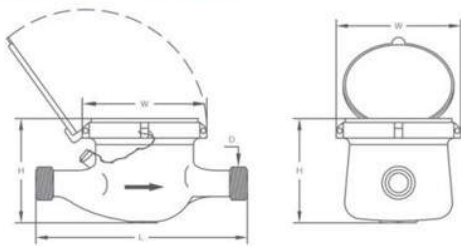
TAC WATER METER (SMART WATER METER)

- AMR UPGRADEABLE
- CLASS B
- INDUCTIVE PULSE OUTPUT BI-DIRECTIONAL
- STANDARD ISO 4064
- PRESSURE RATING 16 BARS



WATER METER

Overall Dimension And Weight



DN (mm)	15	20	25	32	40	50	50
Size (inch)	1/2"	3/4"	1"	1-1/4"	1-1/2"	2"	2"
Length (L)	165/190	190	260	260	300	300	280
Width (W)	99/104	98	103.5	103.5	125	125	160
Height (H)	116/121	117	124	124	162	162	187.5
Connecting Thread D	G3/4B	G1B	G11/4B	G11/2B	G2B	G21/2B	Flange end
Weight (kgs)	1.65	1.79	1.85	2.68	5.25	7.25	

CMi WATER METER (HEAVY DUTY WATER METER)

- MULTI JET VANE WHEEL TYPE
- DRY-DIAL BRASS BODY WATER METERS
- CLASS B
- STANDARD ISO-4064,
- STAINLESS ENCAPSULATED BODY 58% BRASS CONTENT
- PRESSURE RATING 16 BAR



CMi FLOW METER

- Dry-dial, Magnetic drive
- STANDARD ISO-4064
- SIZES:2"-8"

PRESSURELINE uPVC PIPE

MATERIAL: UNPLASTICIZED POLYVINYL CHLORIDE
 SIZES: 63mm to 500mm
 STANDARD: ISO 1452/PNS 65



ZERO GAP MACHINE INSTALLED
 FIXED RUBBER GASKET

NOMINAL SIZE	Minimum Wall Thickness		
	PNS 65: 1993		ISO 1452
	Series 8 SDR 17	Series 10 SDR 21	Series 8 SDR 17
63mm	3.6mm	3.0mm	3.8mm
75mm	4.3mm	3.6mm	4.5mm
90mm	5.2mm	4.4mm	5.4mm
110mm	6.3mm	5.3mm	6.6mm
160mm	9.2mm	7.7mm	9.5mm
225mm	12.9mm	10.8mm	13.4mm
280mm	16.0mm	13.5mm	16.6mm
315mm	18.0mm	15.2mm	18.7mm
355mm			21.1mm
400mm			23.7mm
450mm			26.7mm
500mm			29.7mm

PIPES



PVC PIPE

MATERIAL: UNPLASTICIZED POLYVINYL CHLORIDE
 SIZES: 63mm to 500mm
 STANDARD: ISO 1452/PNS 65



HDPE PIPE

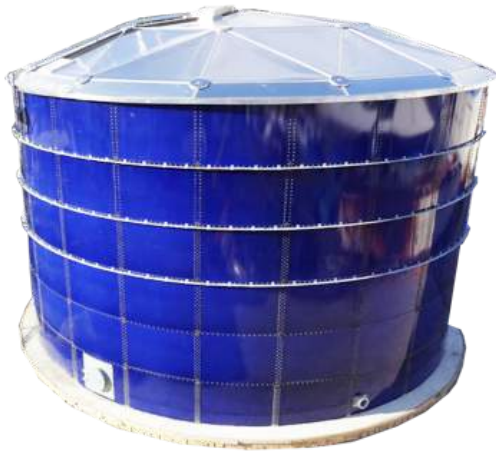
MATERIAL: HIGH-DENSITY POLYETHYLENE
 SIZES: 20mm to 315mm
 STANDARD: ISO 4427



STEEL PIPE

CEMENT COATED STEEL PIPE





STEEL BOLTED GROUND TANK



ELEVATED TANK

TANKS



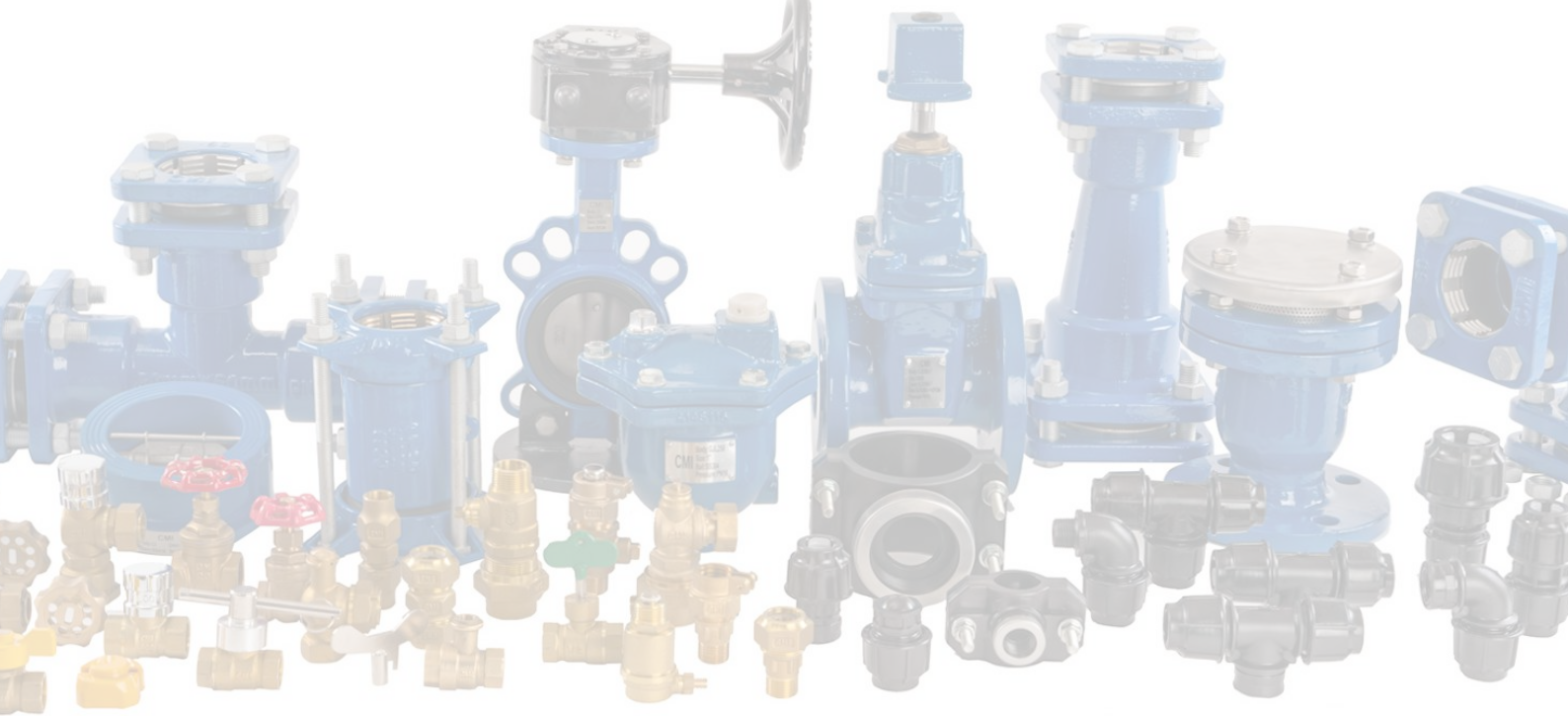
**WATER HARVESTING
TANK**



CHEMICAL TANK



SEWAGE TANK



WATER INDUSTRIES NETWORK CORP.

46 JP BAUTISTA ST. BARANGAY 79, CALOOCAN CITY
+632-8879-1573 | +63-917-515-8583
salesupport@wincorp.info | admin@wincorp.info

www.wincorp.info

facebook: Water Industries Network Corporation – Wincorp
