



BRASS IRON FITTINGS
Design For WOG



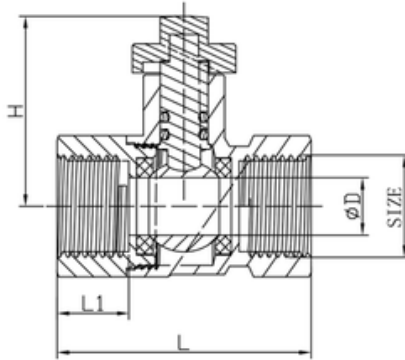
WATER INDUSTRIES NETWORK CORP.

*International Consolidator of Water
& Waste Water Materials*

BRASS FITTINGS (Design for WOG)

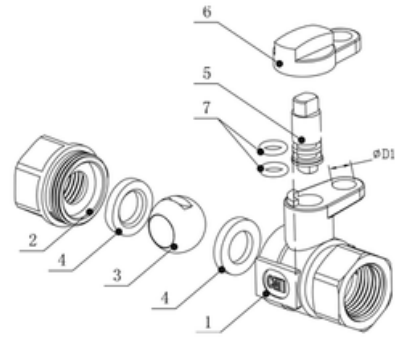


Brass Ball Valve with Lockwing



DIMENSIONS:

DN	SIZE	ΦD	L	L1	H	ΦD
15	1/2"	Φ12	53	15	42	Φ8.5
20	3/4"	Φ19	65	17	51	Φ9.5
25	1"	Φ23	69	51	51	Φ9.5



MATERIAL LIST:

Brass Ball Valve with Lockwing

ITEM	NAME	MATERIAL
1	BODY	HPb57-3
2	CAP	HPb57-3
3	BALL	HPb57-3
4	SEALING	PTFE
5	STEM	HPb57-3
6	HANDLE	HPb57-3
7	O-RING	NBR



BRASS STRAIGHT COUPLING



BRASS STRAIGHT COUPLING (ISO)



BRASS UNION COUPLING (ISO)



BRASS CORPORATION STOP (ISO)



BRASS BALL UNION COUPLING (CTS)



BRASS BALL VALVE WITH HANDLE



AIR RELEASE VALVE



BRASS BALL VALVE W/ LOCKING



BRASS MAGNETIC KEY



BRASS CHECK VALVE



BRASS BALL VALVE W/ LOCKWING



BRASS BALL VALVE W/ KEY WRENCH



BRASS ANGLE METER VALVE W/ KEY-C



BRASS BALL VALVE WITH HANDLE

WATER INDUSTRIES NETWORK CORP.

International Consolidator of Water & Waste Water Materials

Telephone No. : +632-8879-1573 | +63-917-515-8583

Email Address : salesupport@wincorp.info | marketing@wincorp.info

Website : www.wincorp.info

Facebook Page : Water Industries Network Corporation - Wincorp

